
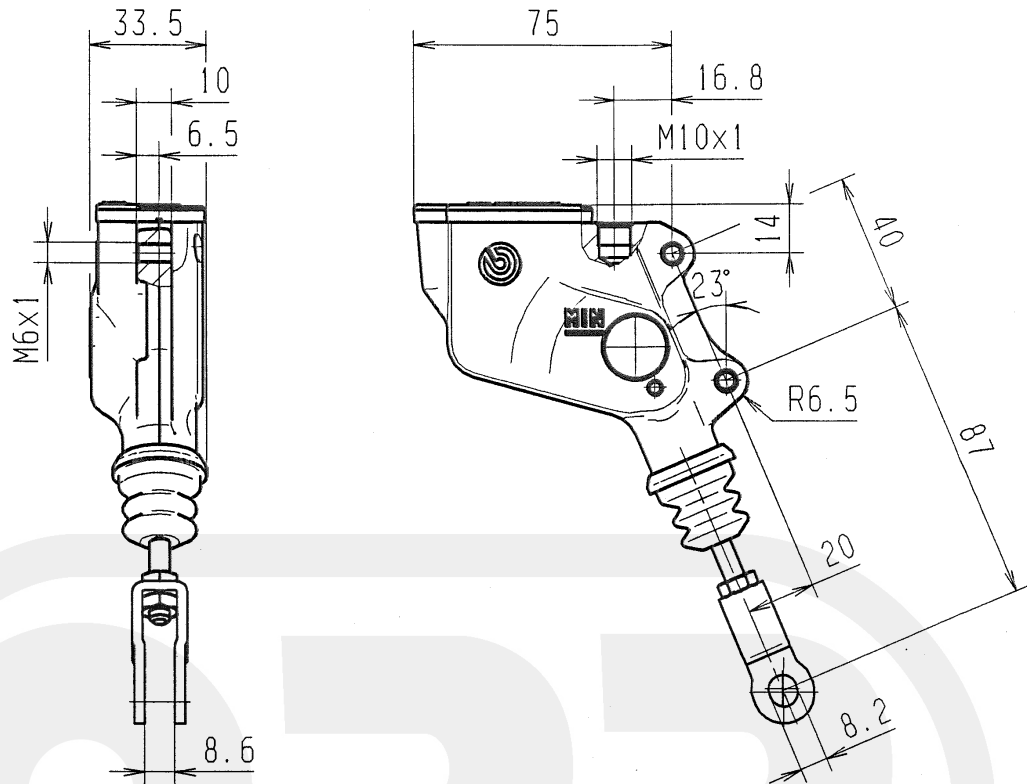


| | | | |
|---|--|------------|---|
|  | REAR INTEGRATED RESERVOIR MASTER CYLINDER | PS 13 | |
| | | 10.8494.10 | A |



| DESCRIPTION | |
|---|---|
| Rear integrated reservoir master cylinder. | Operating fluid: brake fluid DOT4. |
| Master cylinder body material: Aluminium alloy. | Master cylinder body color: Anodic oxidation natural color. |
| Cap material: Aluminium alloy. | |

| TECHNICAL CHARACTERISTICS | |
|---|----------------------|
| Piston diameter: | 13.0 mm |
| Piston stroke: | 15.0 mm MAX |
| Usable reservoir volume: | 21.0 cm ³ |
| Reservoir volume difference between MAX and MIN levels: | 12.5 cm ³ |
| Weight: | 0.24 Kg |

AVAILABLE SPARE PARTS

| SPARE PARTS CODE | PUSH-ROD | PISTON | CAP |
|---------------------|-------------|-------------|-------------|
| 10.8494.10 | 110.4266.68 | 110.4623.52 | 110.2704.79 |

Indicating informations subject to modification.
 For further specifications contact Technical Section.

LAST UPDATE: 27/02/2003